

TOP COMMUNICATION MANUAL

(FATEK FACON SERIES)



Published by M2I Corporation



M2I Corporation


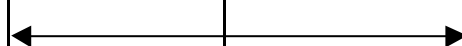
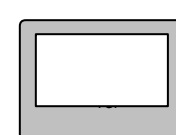
FATEK FACON Series

FATEK FACON Series interface

The following section describes the system configuration and interface between FATEK FACON and TOP by serial RS-232 or RS-485.

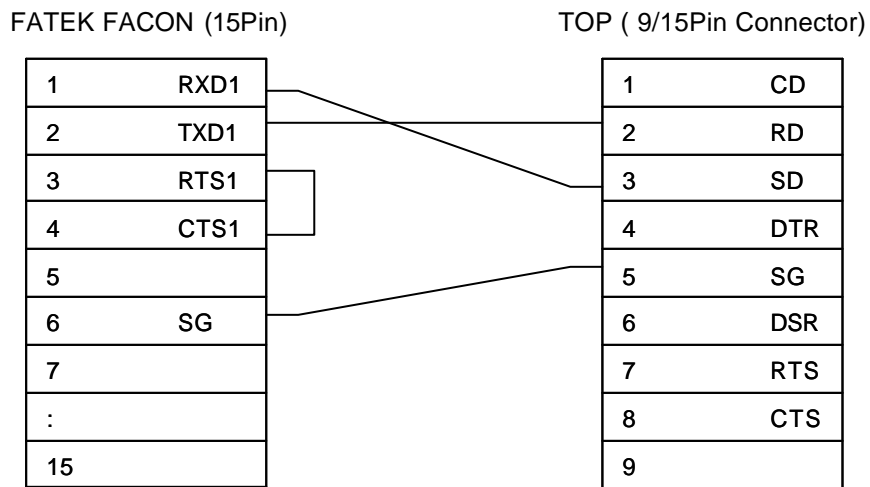
< System Configuration >

This figure shows system configuration to connect FATEK FACON to TOP.

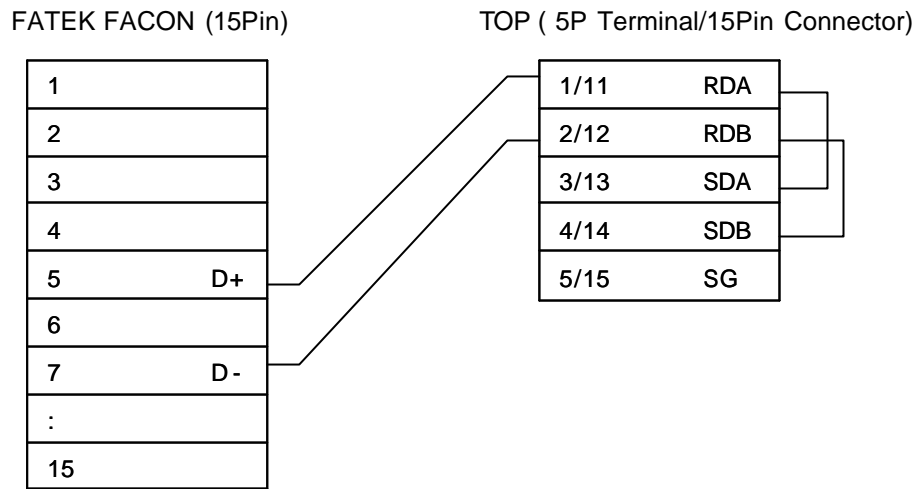
Controller	Comm. Module	Cable	TOP
			
FATEK FACON (MC TYPE)	None	Refer to Connection Diagram(RS-232)	All TOP
		Refer to Connection Diagram (RS-485)	

< Cable Diagram >

(1) RS-232 Connection Diagram (FATEK FACON TOP)



(2) RS-485 Connection Diagram (FATEK FACON TOP)



< FATEK FACON Series Setup >

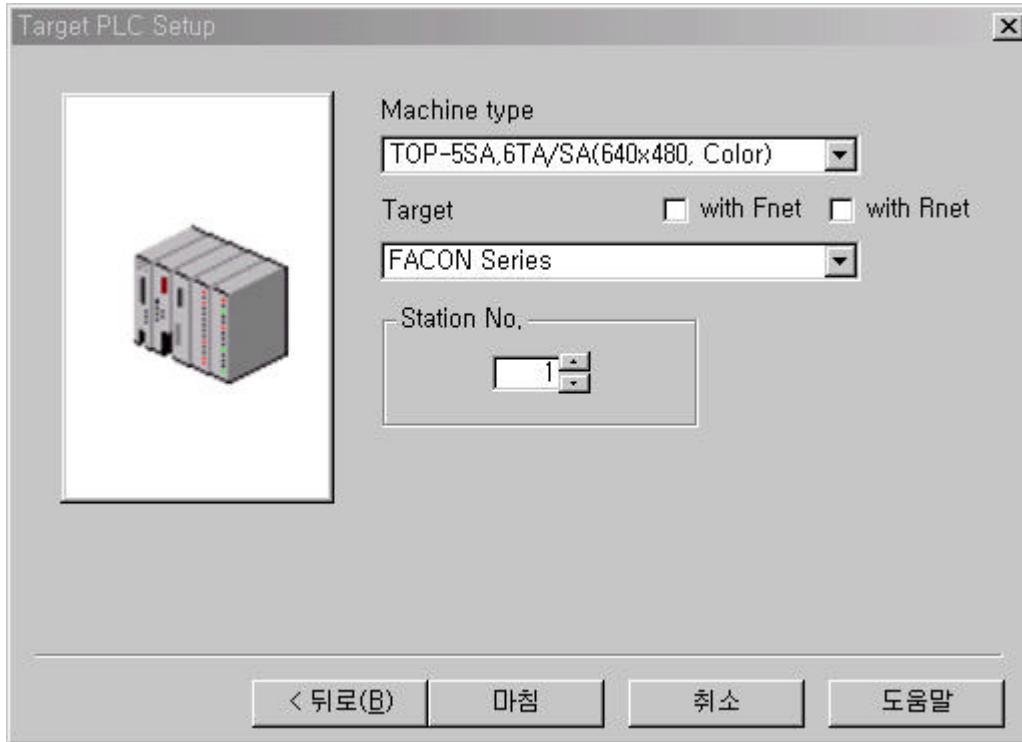
Recommended communication settings for PLC are as following table.

PLC Communication Setup	
Baudrate	9600 bps
Data Bit	7 bit
Stop Bit	1 bit
Parity Bit	EVEN
Unit No	1 ~ 255

< TOP Setup >

(1) TOP Designer setup

Select Controller type of FACON Series as shown figure.



(2) Serial communication setup in TOP

Communication setup in 'Comm. Setup' Menu are as follows :

- Serial Baud Rate : Same as controller's setup
- Serial Data Bit : Same as controller's setup
- Serial Stop Bit : Same as controller's setup
- Serial Parity Bit : Same as controller's setup
- Serial Signal Level : Same as controller's setup
- Station No. at Communication Diagnosis(0~31) : Same as controller's setup

< Available Address List >

Element	Symbol	Name	Bit Address	Word Address	
Discrete	X	Input discrete	X0000 ~ X9999	WX0000 ~ WX9984	
	Y	Output relay	Y0000 ~ Y9999	WY0000 ~ WY9984	
	M	Internal relay	M0000 ~ M9999	WM0000 ~ WM9984	
	S	Step relay	S0000 ~ S9999	WS0000 ~ WS9984	
	T	Timer discrete	T0000 ~ T9999	-	
	C	Counter discrete	C0000 ~ C9999	-	
Data Register	TMR	Timer register	-	RT0000 ~ RT9999	
	CTR	Counter register	-	RC0000 ~ RC9999	
	D	Data register	-	D00000 ~ R65535	
	R	Data register	-	R00000 ~ D03839	
	ROR	Read only register	-	R05000 ~ R08071	
	IR	Analog input register	-	R03840 ~ R03903	
	OR	Analog output register	-	R03904 ~ R03967	
	SR	System register		-	R03968 ~ R04095 , R04136 ~ R04167
			High-speed timer register	-	R04152 ~ R04154
Calendar register			-	R04129 ~ R04135	